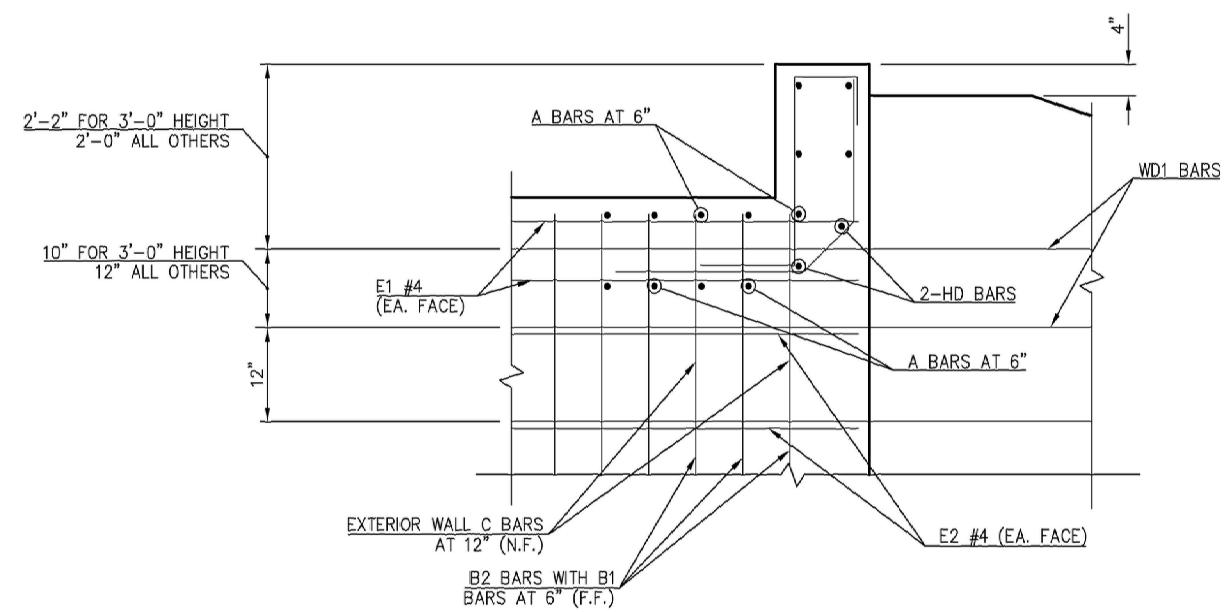


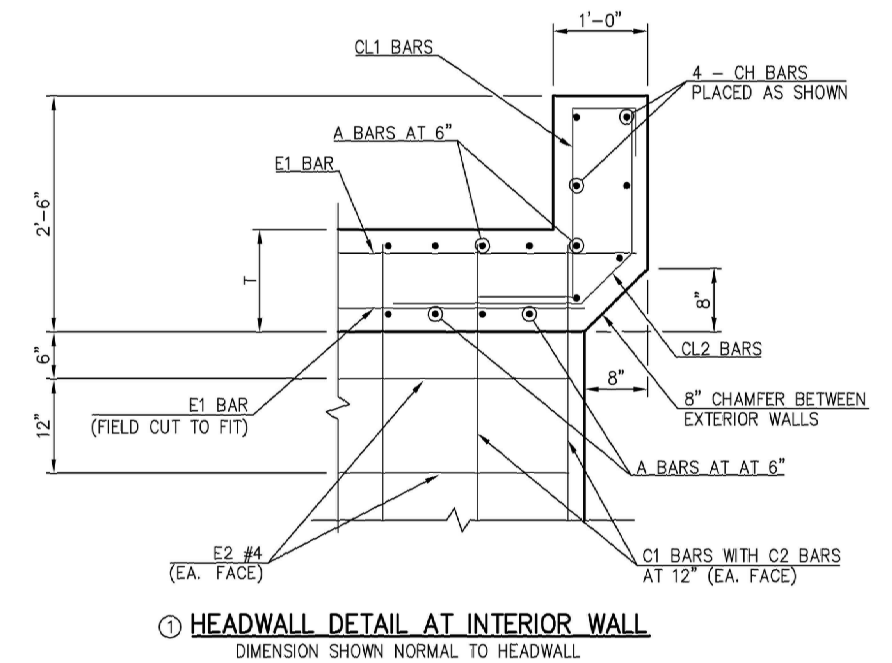
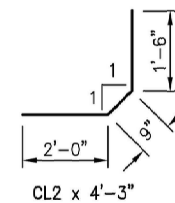
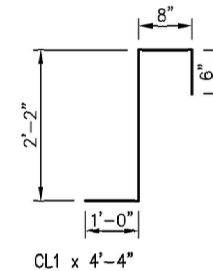
PLAN



① HEADWALL DETAIL AT EXTERIOR WALL

| HEADWALL - DOUBLE CELL |        |             |           |     |           |      |         |        |         |     |         |              |     |         |            |              |
|------------------------|--------|-------------|-----------|-----|-----------|------|---------|--------|---------|-----|---------|--------------|-----|---------|------------|--------------|
| DIMENSIONS ①           |        |             | CL1 @ 12" |     | CL2 @ 12" |      | CH BARS |        | HD BARS |     |         | QUANTITIES ② |     |         |            |              |
| SPAN                   | HEIGHT | H           | SIZE      | QTY | LENGTH    | SIZE | QTY     | LENGTH | SIZE    | QTY | LENGTH  | SIZE         | QTY | LENGTH  | CONC (C.Y) | REINF (LBS.) |
| 6                      | 3      | 17'-3 3/4"  | #4        | 18  | 4'-4"     | #4   | 18      | 4'-3"  | #4      | 4   | 16'-11" | #6           | 2   | 16'-11" | 1.10       | 200.00       |
| 6                      | 4      | 17'-3 3/4"  | #4        | 18  | 4'-4"     | #4   | 18      | 4'-3"  | #4      | 4   | 16'-11" | #6           | 2   | 16'-11" | 1.10       | 200.00       |
| 6                      | 6      | 17'-10 3/4" | #4        | 19  | 4'-4"     | #4   | 19      | 4'-3"  | #4      | 4   | 17'-6"  | #6           | 2   | 17'-6"  | 1.00       | 210.00       |
| 8                      | 3      | 21'-11 1/4" | #4        | 23  | 4'-4"     | #4   | 23      | 4'-3"  | #4      | 4   | 21'-7"  | #6           | 2   | 21'-7"  | 1.30       | 260.00       |
| 8                      | 4      | 21'-11 1/4" | #4        | 23  | 4'-4"     | #4   | 23      | 4'-3"  | #4      | 4   | 21'-7"  | #6           | 2   | 21'-7"  | 1.30       | 260.00       |
| 8                      | 6      | 22'-6 1/4"  | #4        | 24  | 4'-4"     | #4   | 24      | 4'-3"  | #4      | 4   | 22'-2"  | #6           | 2   | 22'-2"  | 1.30       | 270.00       |
| 8                      | 8      | 22'-6 1/4"  | #4        | 24  | 4'-4"     | #4   | 24      | 4'-3"  | #4      | 4   | 22'-2"  | #6           | 2   | 22'-2"  | 1.30       | 270.00       |
| 10                     | 3      | 26'-6 3/4"  | #5        | 28  | 4'-4"     | #5   | 28      | 4'-3"  | #6      | 4   | 26'-2"  | #8           | 2   | 26'-2"  | 1.50       | 550.00       |
| 10                     | 4      | 26'-6 3/4"  | #5        | 28  | 4'-4"     | #5   | 28      | 4'-3"  | #6      | 4   | 26'-2"  | #8           | 2   | 26'-2"  | 1.50       | 550.00       |
| 10                     | 6      | 27'-1 3/4"  | #5        | 28  | 4'-4"     | #5   | 28      | 4'-3"  | #6      | 4   | 26'-9"  | #8           | 2   | 26'-9"  | 1.60       | 560.00       |
| 10                     | 8      | 27'-1 3/4"  | #5        | 28  | 4'-4"     | #5   | 28      | 4'-3"  | #6      | 4   | 26'-9"  | #8           | 2   | 26'-9"  | 1.60       | 560.00       |
| 10                     | 10     | 27'-1 3/4"  | #5        | 28  | 4'-4"     | #5   | 28      | 4'-3"  | #6      | 4   | 26'-9"  | #8           | 2   | 26'-9"  | 1.60       | 560.00       |
| 14                     | 8      | 36'-4 1/2"  | #5        | 38  | 4'-4"     | #5   | 38      | 4'-3"  | #6      | 4   | 36'-0"  | #8           | 2   | 36'-0"  | 1.80       | 750.00       |
| 14                     | 10     | 36'-4 1/2"  | #5        | 38  | 4'-4"     | #5   | 38      | 4'-3"  | #6      | 4   | 36'-0"  | #8           | 2   | 36'-0"  | 1.80       | 750.00       |
| 14                     | 12     | 36'-4 1/2"  | #5        | 38  | 4'-4"     | #5   | 38      | 4'-3"  | #6      | 4   | 36'-0"  | #8           | 2   | 36'-0"  | 1.70       | 750.00       |
| 16                     | 8      | 41'-2 1/4"  | #5        | 42  | 4'-4"     | #5   | 42      | 4'-3"  | #8      | 4   | 40'-10" | #9           | 2   | 40'-10" | 2.00       | 1090.00      |
| 16                     | 10     | 41'-2 1/4"  | #5        | 42  | 4'-4"     | #5   | 42      | 4'-3"  | #8      | 4   | 40'-10" | #9           | 2   | 40'-10" | 2.00       | 1090.00      |
| 16                     | 12     | 41'-2 1/4"  | #5        | 42  | 4'-4"     | #5   | 42      | 4'-3"  | #8      | 4   | 40'-10" | #9           | 2   | 40'-10" | 2.00       | 1090.00      |
| 16                     | 15     | 41'-2 1/4"  | #5        | 42  | 4'-4"     | #5   | 42      | 4'-3"  | #8      | 4   | 40'-10" | #9           | 2   | 40'-10" | 1.80       | 1090.00      |
| 20                     | 10     | 50'-9 3/4"  | #5        | 52  | 4'-4"     | #5   | 52      | 4'-3"  | #8      | 4   | 50'-5"  | #9           | 2   | 50'-5"  | 1.90       | 1350.00      |
| 20                     | 12     | 50'-9 3/4"  | #5        | 52  | 4'-4"     | #5   | 52      | 4'-3"  | #8      | 4   | 50'-5"  | #9           | 2   | 50'-5"  | 1.90       | 1350.00      |
| 20                     | 15     | 50'-9 3/4"  | #5        | 52  | 4'-4"     | #5   | 52      | 4'-3"  | #8      | 4   | 50'-5"  | #9           | 2   | 50'-5"  | 1.90       | 1350.00      |

- ① SEE RCB CULVERTS - BARREL DETAILS AND RCB CULVERTS - END SECTION DETAILS FOR ADDITIONAL INFORMATION
- ② QUANTITIES ARE FOR ONE HEADWALL



① HEADWALL DETAIL AT INTERIOR WALL  
DIMENSION SHOWN NORMAL TO HEADWALL

